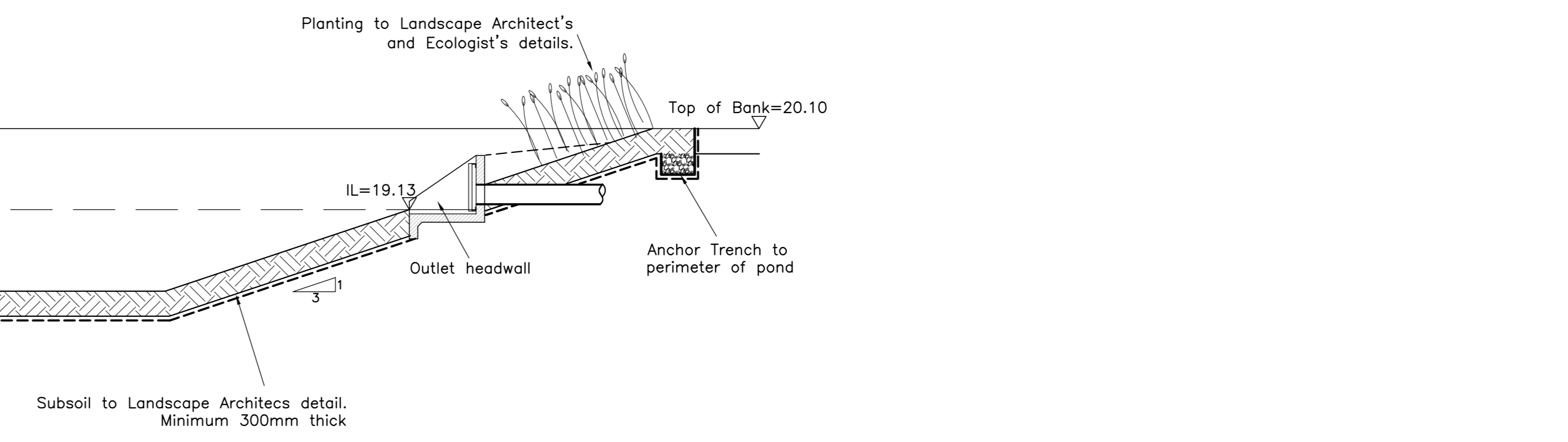
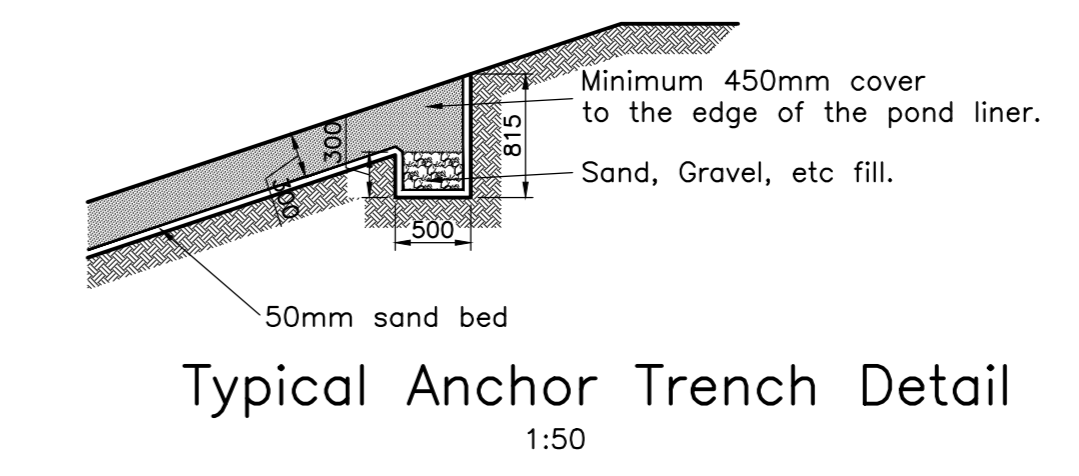


Typical Section Through Treatment Pond A-A
1:50

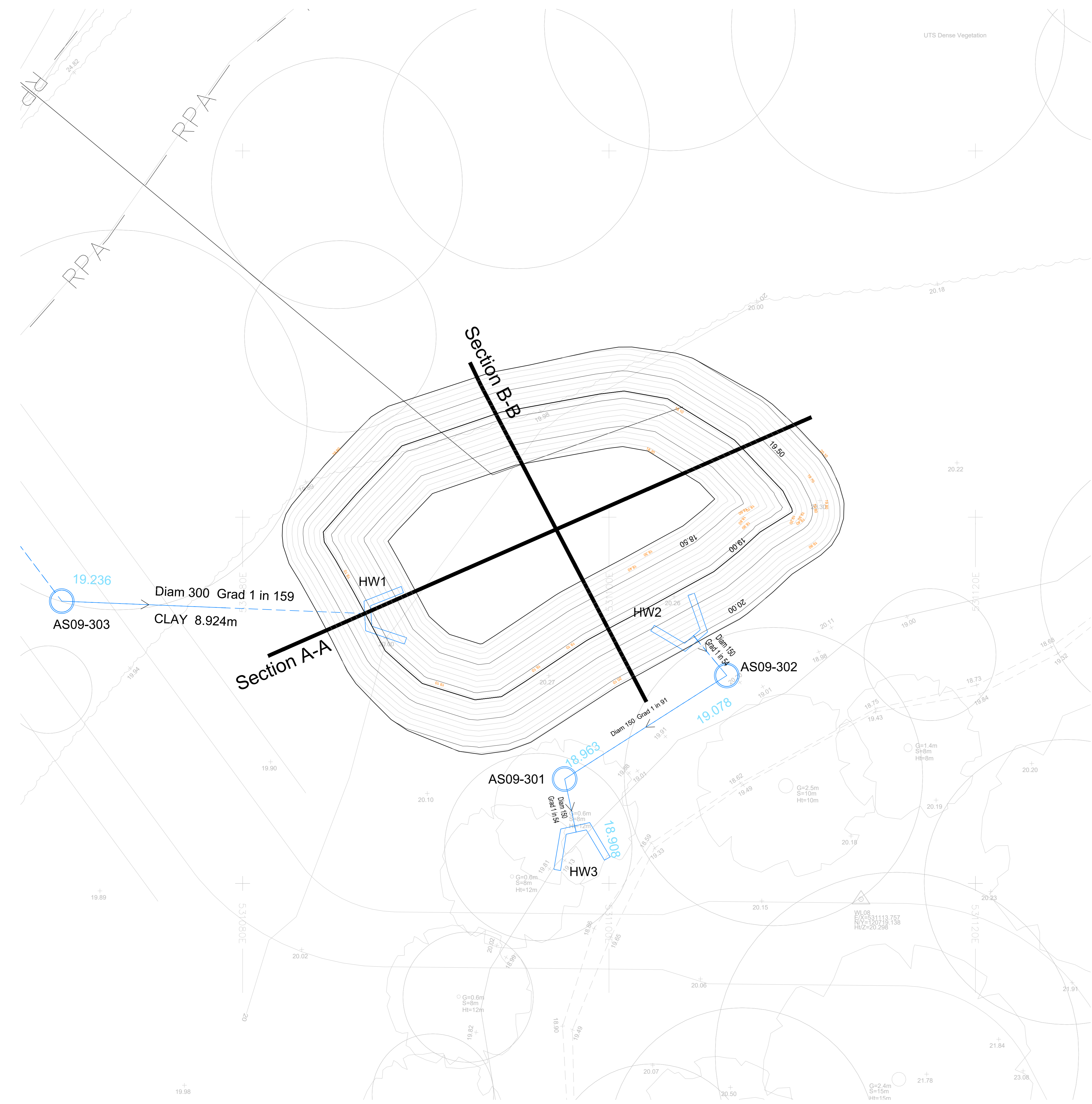


Typical Section Through Treatment Pond B-B
1:50

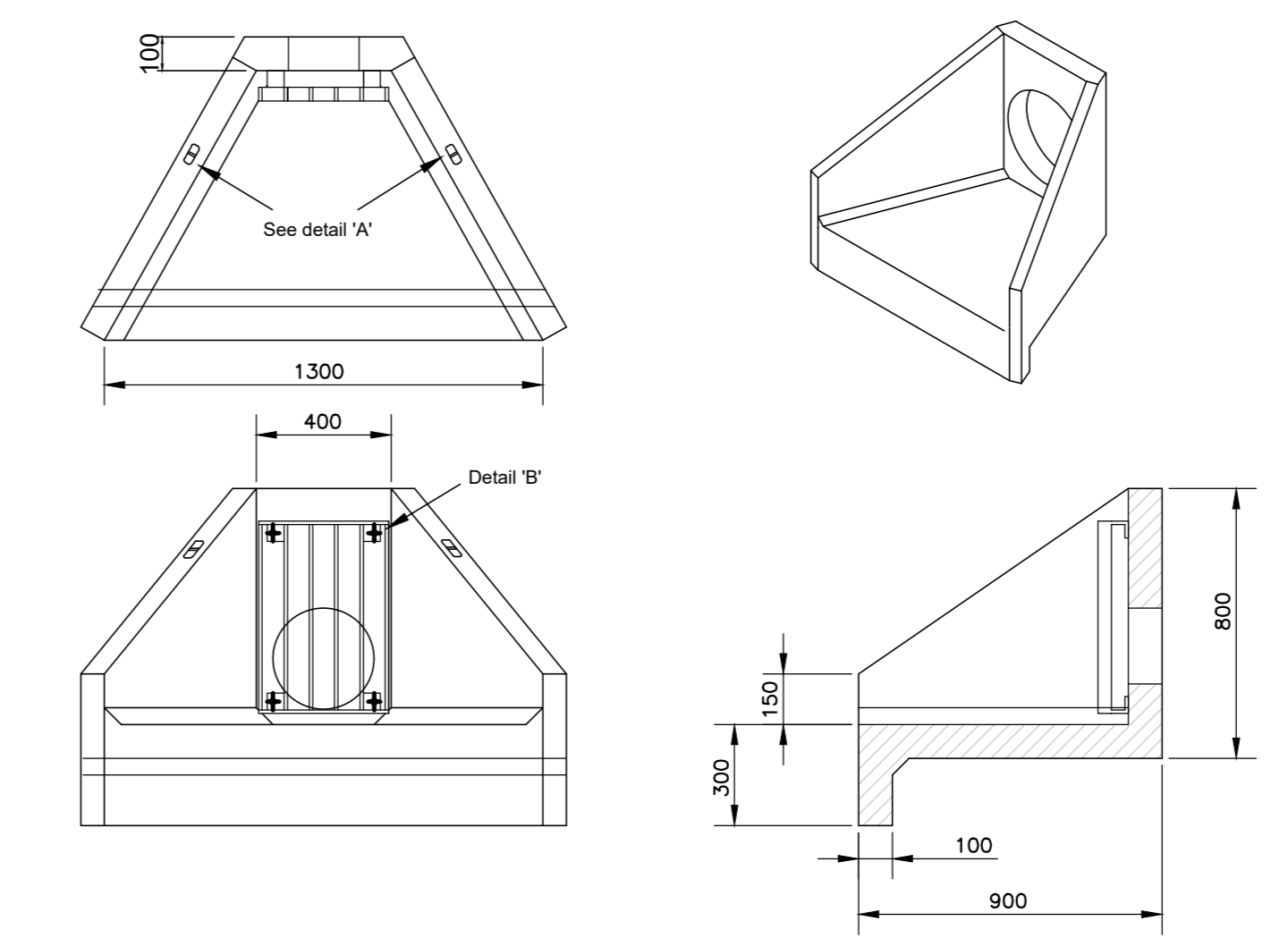
Proprietary Bentonite pond liner, similar or approved, minimum 1mm gauge with life time guarantee installed to manufacturer's instructions.



Typical Anchor Trench Detail
1:50



- H3C Specification Information**
- Opening in back all cast to suit outside diameter of the pipework
 - Invert level of pipe can be set to your specification
 - H3C suitable for pipework up to 300mm ID non wall or clay / 225mm ID concrete
- Close Coupled Grate Specification Information**
- Grating manufactured from 40 x 10 flat at 75mm centres with 50 x 50 angle mounting points
 - Unit fully welded then hot dip galvanised



- Althon H3C Headwall Installation**
- Units should be bedded on minimum 100mm of semi-dry concrete. Set the headwall level on with a slight fall 1:50 from pipe to spill mouth. For full detailed installation instructions contact ALTHON LTD, 01603 488700
- Material: Reinforced concrete
Weight approximately 540kg
All dimensions in mm

Althon H3C Headwall Detail
1:20

REV	DATE	AMENDMENT	BY	CHKD

STATUS **Planning**

PROJECT
**Burgess Hill
Northern Arc
Phase 1C**

CLIENT
Hill

DRAWING
**Water Quality Pond
WQ03 Details**

DATE 30.05.25 DRAWN BY AB REVISION
SCALES (@A1) - AS CHECKED BY LW P01
WALKERS JOB NUMBER 7714

DRG NO.
BUR-WAC-XX-ZZZ-D-C-20001